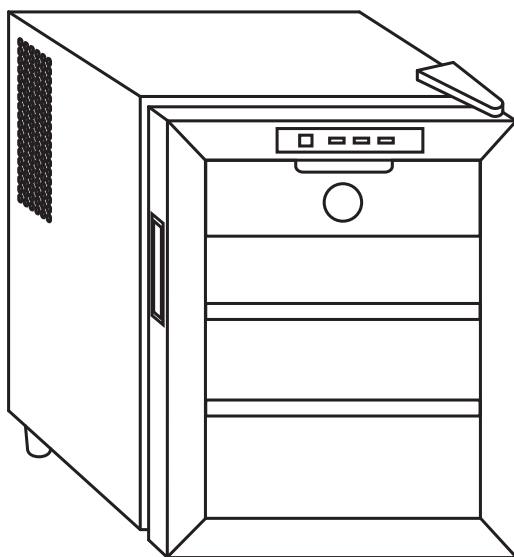


TEMPTECH

# INSTRUCTION MANUAL

## THERMOELECTRIC CIGAR COOLER



FCH3300SSCW

---

# READ AND SAVE THESE INSTRUCTIONS

---

## TABLE OF CONTENTS

|  |   |
|--|---|
| Specifications .....                             | 2 |
| Before First Use.....                            | 3 |
| Safety Information & Warnings .....              | 3 |
| Parts List.....                                  | 4 |
| Installation .....                               | 5 |
| Operating Instructions .....                     | 6 |
| Operating Environment .....                      | 6 |
| How to use the Buttons on the Display Panel..... | 7 |
| Cleaning & Maintenance.....                      | 7 |
| Cleaning Your Cooler.....                        | 7 |
| Moving Your Cooler .....                         | 8 |
| Cigar Storage Guide .....                        | 8 |
| Troubleshooting.....                             | 9 |

## SPECIFICATIONS

|                           |                   |
|---------------------------|-------------------|
| <b>MODEL No.</b>          | JC-33EW           |
| <b>RATED VOLTAGE:</b>     | 220-240V AC/ 50Hz |
| <b>POWER CONSUMPTION:</b> | 50W               |
| <b>STORAGE CAPACITY:</b>  | 250 Cigars        |
| <b>TEMPERATURE RANGE:</b> | 12 °C-23 °C       |

## BEFORE FIRST USE

Read and follow all the instructions below even if you feel you are familiar with the appliance.

Remove the packing and make sure that the appliance is intact. If in doubt do not use the appliance and contact the place of purchase.

Do not leave packaging materials such as bags and staples within reach of children.

Dispose of packaging carefully and with consideration for the environment.

It is ideal to retain the appliance carton for seasonal storage.

For your convenience, record the date you received the appliance on the warranty page of these instructions, and attach your proof of purchase. Retain this information in the event that warranty service is required.

## SAFETY INFORMATION & WARNINGS



When using any electrical appliance, basic safety precautions must be followed in order to reduce the risk of fire, electrical shock and/or injury to persons or property. Be sure to read all instructions before using this appliance and observe the following safety tips:



**Attention: To prevent the risk of child entrapment, do not allow children to operate, play with, or crawl inside the unit.** If the unit will not be used for an extended period of time, remove the door and leave the shelves in place so that children cannot crawl inside. Also, remove the door when disposing of the unit.

Never clean the appliance parts with flammable fluids, as the fumes can create a fire hazard or explosion. Do not store or use gasoline or any other flammable vapors and liquids near this or any other appliance.

Do not store perishable foods in the cigar cooler, as the interior temperature will not be low enough to prevent food spoilage.



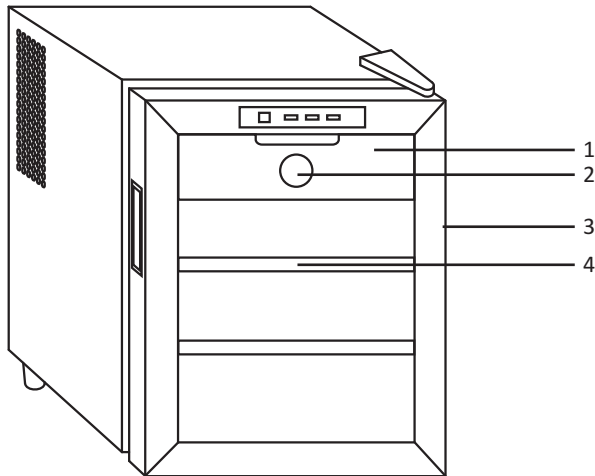
## Shock Hazard – Electrical Grounding Required

This cooler should be properly grounded for your safety, and in order to minimize the possibility of electrical shock, the power cord of this unit is equipped with a schucko plug which fits 3-prong wall outlets. Improper use of the grounded plug can result in electrical shock. If the power cord appears to be damaged, have it replaced by an authorized service center.

Never cut or remove the ground wire from the supplied power cord. The use of an extension cord is not recommended.

The cord should be secured behind the cooler. Also, to prevent accidental injury, do not expose or dangle the cord.

## PARTS LIST



1. Drawer
2. Hygrometer
3. Door
4. Shelf

## INSTALLATION

This cooler is freestanding unit and should not be installed inside a cabinet or other built-in enclosure.

For proper ventilation, allow 5 inches clearance between the back of the unit and any adjacent walls.

Before operating your cigar cooler for the first time, follow these steps:

Before connecting the unit to a power source, allow it to stand upright for approximately 2 hours. This will reduce the possibility of any system malfunctions which may have occurred from handling during transportation. Clean the interior surface of the unit with lukewarm water and a soft cloth but do not get the wood wet.

Place the cooler on a level surface that will be strong enough to support the unit when it is fully loaded. To level your cooler, adjust the front feet located at the bottom of the unit.

Install the cooler away from direct sunlight and heat sources such as stoves, heaters, or radiators. Direct sunlight may affect the unit's acrylic coating, and nearby heat sources can increase electrical consumption. Extreme cold or hot ambient temperatures may also prevent proper performance.

Please note: this cooler is only designed for home use, and is not designed to be placed in a garage, basement, or outdoor area

### **FACTORY ODOR REMOVAL**

Wash the interior of the cooler with a mild detergent and warm water. Make sure to not get the wood wet. Leave the door open and allow it to air dry thoroughly. If a "plastic" smell persists, place a dish of baking soda in the unit or stuff the cooler with newspapers overnight. When finished, let the unit run a full day to complete the airing out process.

### **DRAWER SET-UP**

The drawers and shelves included with this cooler are designed to sit flush with the front edge of the cabinet. This will allow air to circulate freely through the unit. When inserting the drawers and shelves, avoid pushing them all the way against the rear wall of the cabinet.

## SEASONING YOUR CIGAR COOLER

It is best to season your wood shelves and drawers before adding your cigars so that the wood is at an ideal relative humidity (RH) and does not absorb humidity from your cigars. To season your new cigar cooler:

1. Add distilled water to the included moisture container or add a sponge that is damp with distilled water. Make sure that the water is not touching the wood directly or this may damage the wood.
2. Allow the moisture container, or other humidity-adding device, to sit in the cooler until it reaches a relative humidity of 5% higher than your preferred level. This process may take as long as 3 days but is the best way to ensure your cigars stay optimal.
3. Once the cooler reaches this mark, you can begin to add cigars. You may add a few at a time in order to monitor the RH and make sure it stays at a level you want it at. If it drops too much, you can use the same seasoning method to bring it back up.

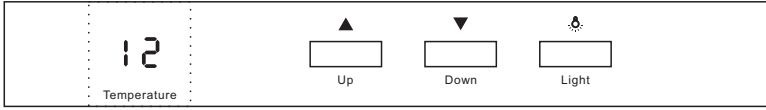
During this entire process, it is recommended to not open the door unnecessarily, as this lets moisture escape and can delay the process.

## OPERATING INSTRUCTIONS


### OPERATING ENVIRONMENT

It is recommended that the cooler be installed in an area where the ambient temperature is between 18° - 26°C. If the ambient temperature is above or below the recommended ranges, the unit's performance may be affected, and extreme cold or hot conditions may cause the interior temperature to fluctuate. This will prevent the optimal range of 12° - 23°C from being reached. In addition, keep in mind that the temperature may fluctuate depending on whether the interior light is on or off, and how full the cooler is.

# HOW TO USE THE BUTTONS ON THE DISPLAY PANEL



## BUTTON FUNCTIONS:



Up

Raise the desired temperatures.\*



Down

Lower the desired temperature.\*



Light

Turn the light on or off.

\* The interior temperature can be adjusted in increments of 1 degree between 12° and 23°C.

After turning on the cigar cooler, the LED display will show the ambient temperature first, and then the internal cabinet temperature.

After you set the desired temperature, this set temperature will flash for 5 seconds on the display and then revert back to the internal cabinet temperature.

## CLEANING & MAINTENANCE

### CLEANING YOUR COOLER

To clean your cooler:

Unplug the cooler and remove anything inside.

Remove the shelves and wash the inside of the unit with a solution made of warm water and baking soda solution (2 tablespoons of baking soda to one quart of water).

Unscrew the water reservoir at the bottom of the unit and rinse with water.

To clean the outside of the unit, use a mild detergent and warm water.

## MOVING YOUR COOLER

To move your cooler:

Remove anything stored inside.

Securely tape down all loose parts located inside the unit.

Turn the leveling feet up to the base in order to avoid damage.

Tape the door shut.

Be sure the cooler stays in an upright position during transportation.

## CIGAR STORAGE GUIDE

The ideal temperature for storing cigars is between 18° and 23°C.

The ideal relative humidity (RH) for storing cigars is between 65% and 75% RH. To properly maintain RH in the Model JC-33EW , you will need to include a method of adding humidity. For your convenience, a moisture container is included.

To add humidity to the unit using the included moisture container, simply fill the container with distilled water or a damp sponge wet with distilled water and place it back in the unit. Please note this water should be changed after reaching the desired humidity and refilled when used again.

Keep cigars out of direct sunlight, to avoid exposure to damaging UV rays. It is recommended to keep cigars in their original boxes and packaging as long as possible. Keep unwrapped cigars separate in your cooler to avoid unwanted mingling of flavors.

Check cigars regularly for signs of tobacco beetles and mold, and take preventative measures if necessary.

Properly stored cigars can improve with age for as long as 5-10 years, and can be kept even longer in ideal conditions.



## TROUBLESHOOTING

| <b>Problem</b>                        | <b>Possible Causes</b>   | <b>Solution</b>  |
|---------------------------------------|--|--|
| <b>The cooler will not operate.</b>   | <p>The unit may be plugged in using a different voltage.</p> <p>The circuit breaker may be tripped or there is a blown fuse.</p>   | <p>Check if using the wrong voltage.</p> <p>Reset the circuit breaker or check for a broken fuse.</p>  |
| <b>The cooler is not cold enough.</b> | <p>The external environment may require a higher setting.</p> <p>The door may be opened too frequently.</p> <p>The door is not closed completely.</p> <p>The door seal does not seal properly.</p> | <p>Lower the temperature of the cooler.</p> <p>Open the door less frequently.</p> <p>Make sure the door is closed securely.</p> <p>Replace the seal on the door.</p> |

| <b>Problem</b>  | <b>Possible Causes</b>  | <b>Solution</b>  |
|---|---|--|
|   | The cooler does not have sufficient clearance.  | Make sure there is at least 5 inches clearance between the back of the unit and any adjacent walls.  |
| <b>The light does not work.</b>   | There may be a problem with the display board.  | Contact customer support department only.  |
| <p data-bbox="143 719 358 778"><b>The cooler vibrates while operating.</b></p> <p data-bbox="143 959 369 1018"><b>The cooler produces a lot of noise.</b></p> | <p data-bbox="409 719 642 874">The unit is not sitting on a level floor, or the unit's feet are not correctly installed.</p> <p data-bbox="409 959 568 1018">The unit is not leveled.</p> <p data-bbox="409 1098 565 1125">Check the fan.</p> | <p data-bbox="672 719 953 810">Make sure the unit's feet are in the proper position and tightened securely.</p> <p data-bbox="672 959 792 986">See above.</p> <p data-bbox="672 1098 969 1268">Check the fan to make sure there is no debris or obstruction. If not, contact customer support department only.</p> |